

neofeu)

NEO EDGE / EVO RETRACTABLE TYPE FALL ARRESTER 12 M

REF.
NEO120EVO

neofeu.com

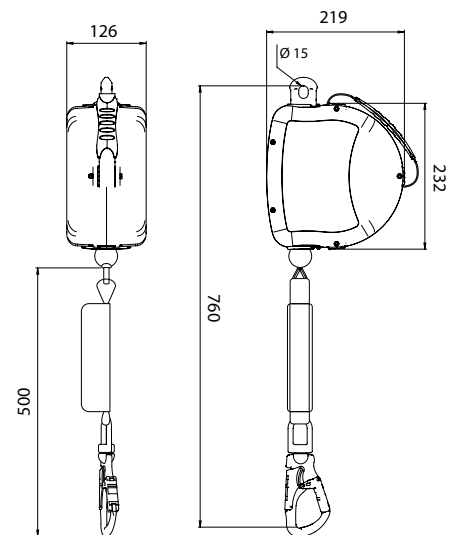
FALL PROTECTION ONLY*
*Un seul métier, l'antichute

CERTIFICATION : EN 360 : 2002 / REGULATION : 2016 / 425
SHEETS : VG11 11.060 / VG11 11.062



TESTED
140 KG

TESTED FOR
HORIZONTAL
USE



dimensions (in mm)

TECHNICAL SPECIFICATIONS

- Vertical and horizontal use
- Maxi user weight 140 kg
- Lanyard in galvanized steel cable, 12 m Ø 4,8 mm
- Composite housing PA Polyamid + fiber glass
- Static resistance >12 kN
- Arrest force < 600 daN
- Minimum clearance when use in vertical : 2,6 m
- Minimum clearance when use in horizontal : 5,1 m
- Swivel anchor hook on top fitted with automatic twist lock connector in aluminum, opening 22 mm
- Automatic swivel connector on cable with fall indicator opening 28 mm in anodized aluminum
- Carry handle in textile and elastomer (not intended for anchorage)
- Temperature of use : -30°C to +50°C
- Weight : 5,4 kg

DESCRIPTION

The NEO EDGE EVO is a fall arrester fitted with a 12 m retractable steel wire rope. User-friendly, it is equipped with a textile carrying handle to facilitate its transport. It is recommended for both vertical and horizontal use for any user up to 140 kg. The shock absorber on the cable termination is protected by a polyester cover.

USE

Works on height with vertical fall hazards. Works in horizontal with fall hazard over a sharp edge ($R \geq 0.5$ mm).