

ASC'O®

REF.
NSD19.P

MOBILE FALL ARRESTER ON FLEXIBLE ANCHORAGE LINE



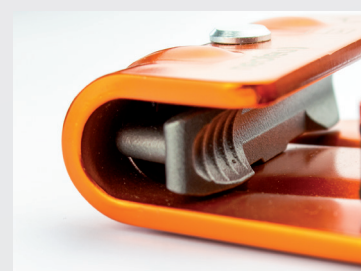
TESTED FOR HORIZONTAL
USE (ED\GE) ⁽¹⁾

R ≥ 0.5

MAX

140 KG

MAXI USER
WEIGHT 140 KG





TECHNICAL SPECIFICATIONS

- Maxi user weight 140 kg
- 1** • Mobile fall arrester in aluminum
- 2** • Locking button
- 3** • Aluminum twist lock connector opening 18mm for connexion to the full body harness
- Static resistance on rope >15 kN
- Arrest force < 6kN
- Weight : 320g (without connector)

Available options :

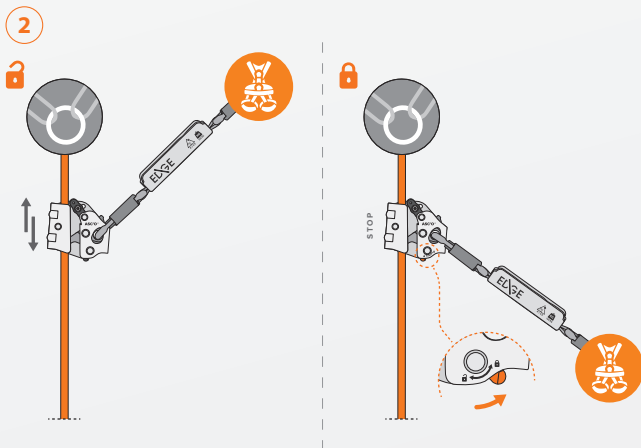
- **NEX.35** : extension webbing lanyard with automatic aluminum connector
- **ABS'O® 40** : shock absorber with automatic aluminum connectors for an horizontal use
- **TWIST 11® - NTWISTC** : Ø11mm high density polyamide rope with sewn termination and stopper

DESCRIPTION

ASC'O® is a mobile fall arrester in aluminum to use on **TWIST 11®** rope to secure your works at height. In normal use, the device slides hands free on the rope up and down automatically. Should a fall occur or in case of unexpected descent, the **ASC'O®** locks instantly and secures the user. With its **unique patented opening system**, **ASC'O®** mobile fall arrester associates comfort of use and maximum safety. It can be locked on the rope with a locking button to allow the user to remain hands free at any level of the rope.

USE

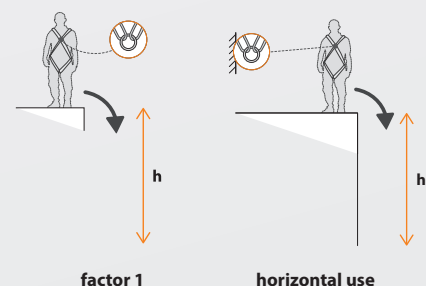
ASC'O® can be used with an extension strap **NEX.35** or a shock absorber **ABS'O® 40** to work with a distance from the rope. Works on height on roofs with vertical fall hazards. All types of rope works. Adapted for the industry, the construction and telecom industry.



Use of the ASC'O® stopping position on rope.

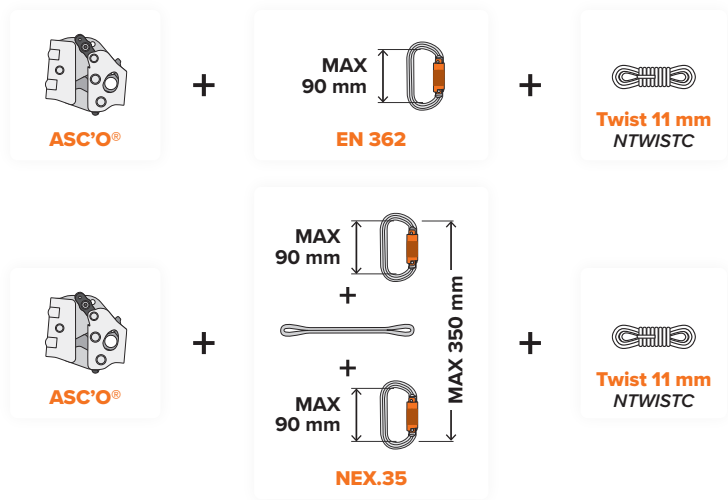
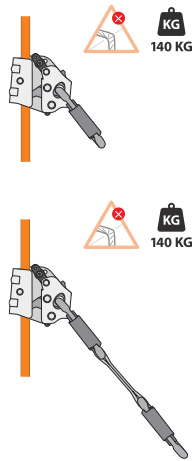
MINIMUM CLEARANCE AND FALL FACTORS

MODELS	MINIMUM CLEARANCE		
	Maxi user weight	F1	Horizontale use
ASC'O®	140 kg	≥ 1,60 m	X
ASC'O® + NEX.35	140 kg	≥ 2,60 m	X
ASC'O® + ABSO® 40 + NTWISTC	140 kg	≥ 2,70 m	≥ 5,80 m

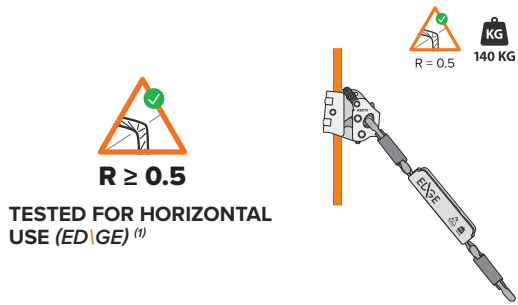


SETUPS

EN 353-2
RFU 11.062



EN 353-2
RFU 11.062 - RFU 11.075



EN 12841-A

