

Fall
Protection
Only

neofeu)

by PMS GROUP
FABRICANT FRANÇAIS

LIGHT SERIE

REF.
NCHLL

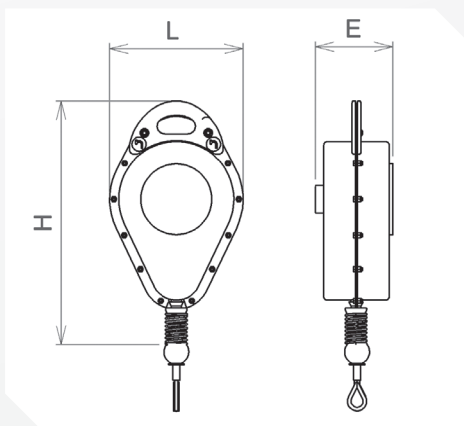
LOAD FALL ARRESTER



TECHNICAL SPECIFICATIONS

- Steel housing with cathaphoresis treatment + black epoxy coating
- Quick locking brake with two pawls
- Galvanized steel cable
- Integrated shock absorber
- Arrest distance reduced

DIMENSIONS / REFERENCES



DESCRIPTION

NEOFEU load arresters consist in an efficient solution in many fields of applications to automatically arrest the fall of a load. They offer an additional protection in case of failure of the primary system intended to restraint or transport the loads. In such case, the brake activates and locks the load on a short distance of less than 1 m.

USE

NEOFEU load arresters work on both static and moving loads through their automatic retracting cable.

Safe working load (kg)	Reference	Length of the cable (m)	Diam. of the cable (mm)	Diam. of the thimble (mm)	Diam. of the anchorage (mm)	Maximum speed of movement of the load (m/min)	Stopping distance (m) ¹	Energy dissipation	Dimensions (L x H x E) (mm)	Weight (kg)
100	NCHLL100/10	10	4	18	25	≤ 33	< 1	✓	189 x 340 x 128	6
100	NCHLL100/20	20	4	18	26	≤ 48	< 1	✓	245 x 415 x 144	10
100	NCHLL100/30	30	4	18	26.5	≤ 80	< 1	✓	285 x 500 x 146	15
200	NCHLL200/10	10	4	18	25	≤ 33	< 1	✓	189 x 340 x 128	6
200	NCHLL200/15	15	4	18	26	≤ 48	< 1	✓	245 x 415 x 144	10
200	NCHLL200/20	20	4	18	26	≤ 48	< 1	✓	245 x 415 x 144	12
200	NCHLL200/30	30	4	18	26.5	≤ 80	< 1	✓	285 x 500 x 146	15
250	NCHLL250/10A	10	4	18	25	≤ 33	< 1	✓	189 x 340 x 128	6
250	NCHLL250/15	15	4	18	26	≤ 48	< 1	✓	245 x 415 x 144	8
250	NCHLL250/20	20	4	18	26	≤ 48	< 1	✓	245 x 415 x 144	10
250	NCHLL250/30	30	4	18	26.5	≤ 80	< 1	✓	285 x 500 x 146	15
320	NCHLL320/10A	10	4	18	25	≤ 33	< 1	✓	189 x 340 x 128	6
320	NCHLL320/15	15	4	18	26	≤ 48	< 1	✓	245 x 415 x 144	13
320	NCHLL320/20	20	4	18	26	≤ 48	< 1	✓	245 x 415 x 144	14
320	NCHLL320/25	25	4	18	26.5	≤ 80	< 1	✓	285 x 500 x 146	15
400	NCHLL400/15	15	5.5	24	26.5	≤ 80	< 1	✓	285 x 500 x 146	15
400	NCHLL400/25	25	5.5	24	26.5	≤ 80	< 1	✓	285 x 500 x 156	17
500	NCHLL500/10	10	6.4/6.5	24	26.5	≤ 80	< 1	✓	285 x 500 x 146	16
500	NCHLL500/15	15	6.4/6.5	24	26.5	≤ 80	< 1	✓	285 x 500 x 156	16
500	NCHLL500/20	20	6.4/6.5	24	26.5	≤ 80	< 1	✓	285 x 500 x 156	17

¹Stopping distance measured under ideal testing conditions of a vertical freefall, without initial velocity. Contact us for any adjustment.

